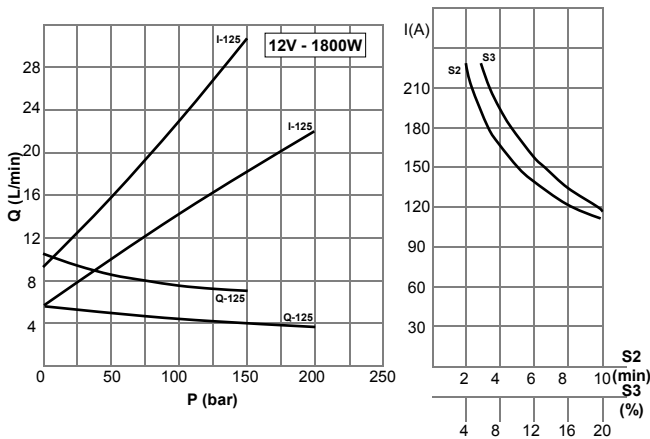




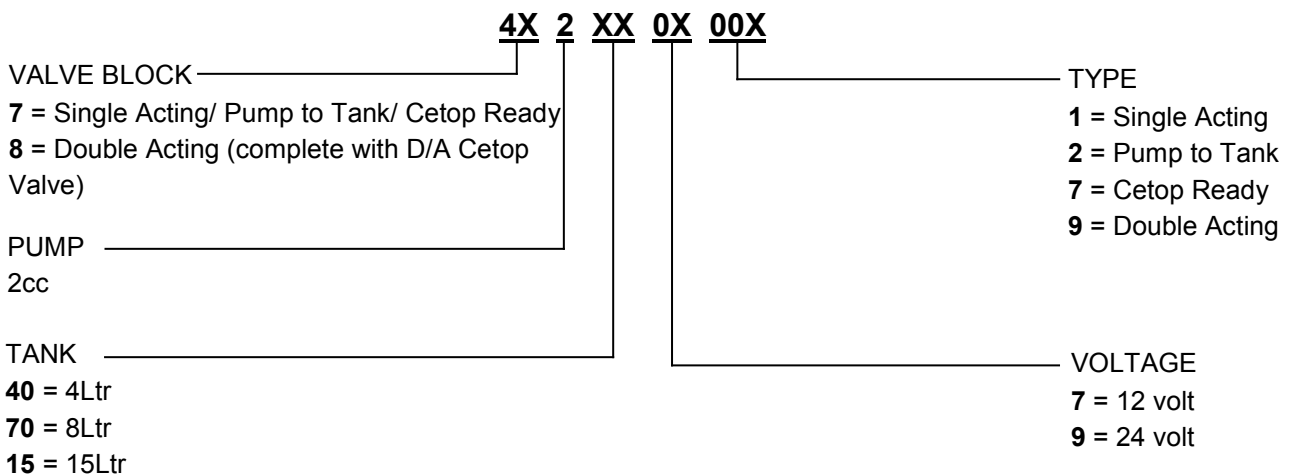
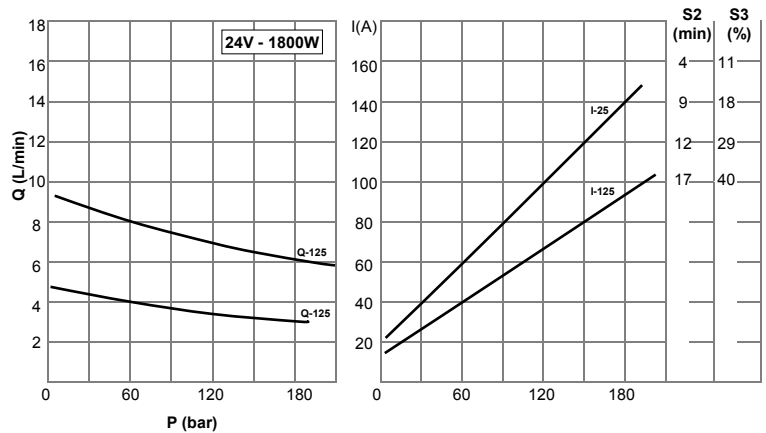
**IMPORTANT NOTE:** Because of the high current draw when operating, these units are rated only for intermittent duty. A sufficient cool down period must be allowed between operations. The electric motor also exhibits the characteristics of a series wound motor in that the speed (rpm.) slows as the load increases. Consequently the flow from the pump decreases in proportion to this speed decrease.

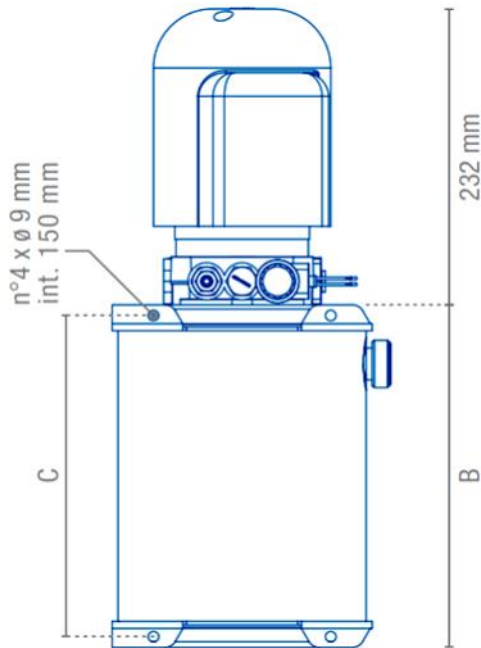
**PERFORMANCE**

**47.XX.X07.XXX**

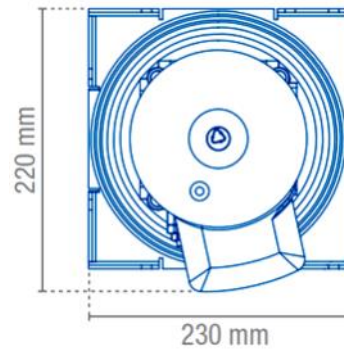


**47.XX.X09.XXX**

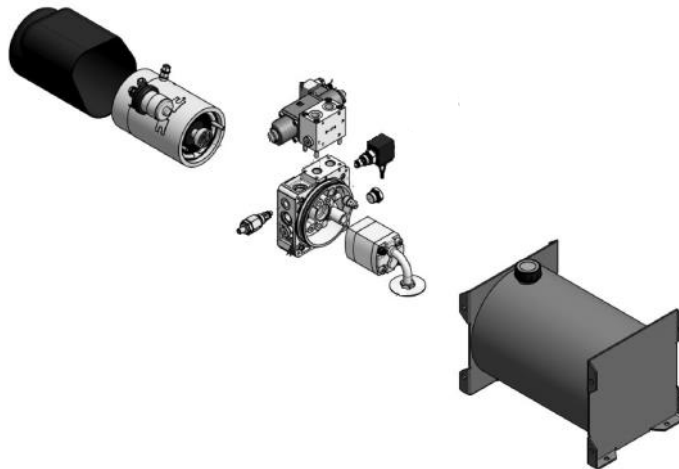




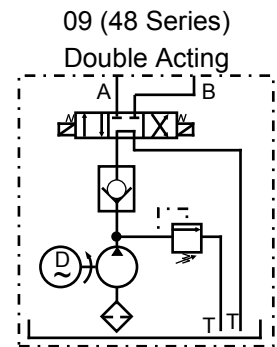
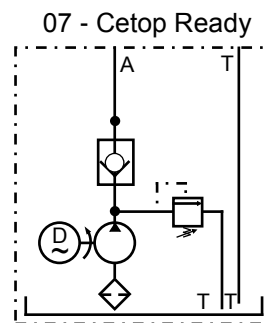
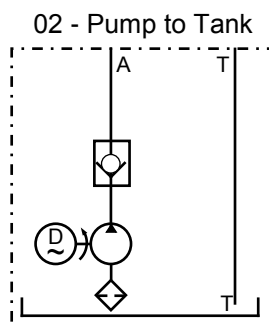
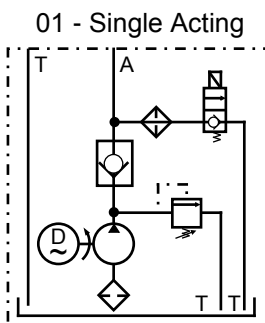
	5 LITRES	8 LITRES	15 LITRES
<b>B (mm)</b>	190	290	490
<b>C (mm)</b>	172	272	472



**BASIC POWER UNIT ASSEMBLY**

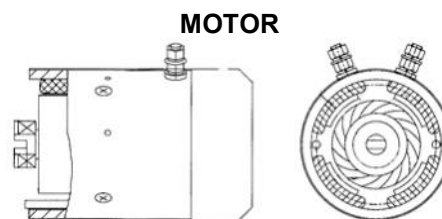


**SCHEMATIC PER TYPE**



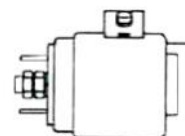
**SPARE PARTS 48**

CODE	DESCRIPTION	VOLT
56250A180L0Y	MOTOR 12V 1800W POWERPACK	12
56250B200L2C	MOTOR 24V 2000W POWERPACK	24
425Z0S12180N	BRUSHES 472 POWERPACK MOTOR 12 VOLT	12
425Z0S24200N	BRUSHES 472 POWERPACK MOTOR 24 VOLT	24



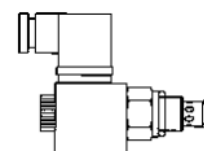
CODE	DESCRIPTION	VOLT
56252120801C	RELAY 12V 200A POWERPACK	12
56252240801C	RELAY 24V 200A POWERPACK	24

**STARTER SOLENOID**



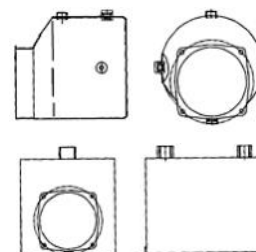
CODE	DESCRIPTION	VOLT
56263610F02I	12V COIL IPH POWERPACK	12
56263610F04I	24V COIL IPH POWERPACK	24
562611M01373	STEM ONLY POWERPACK IPH	

**LOWERING SOLENOID**



CODE	CAPACITY	DISPLACEMENT CAPACITY	TYPE
56221403A23Z	4 L	3 L	04
56221833A23Z	8 L	6 L	07
56221A53B23Z	15 L	13 L	15

**TANK**




CODE	TYPE
FB-1/2P	1/2" BSP







**FILLER / BREATHER**

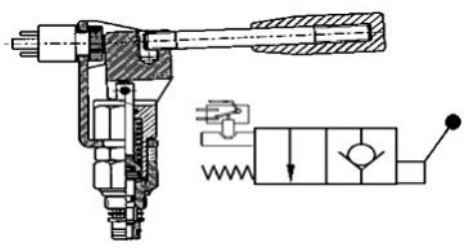
CODE	DESCRIPTION
56233D14D0MO	SUCTION STRAINER 472 SERIES POWERPACK
562530100000HY	MOTOR COVER POWERPACK

### OPTIONS & ACCESSORIES

CETOP3 MOUNTING BLOCK				
No OF MANIFOLDS	CODE	PORT A	PORT B	
1	1201PV0777HY	1/4"	1/4"	

CETOP3 SOLENOID VALVES			
CODE	VOLTS	DESCRIPTION	
0814B13BA001	12V	12V D/A CETOP VALVE CLOSED CENTRE	
0714B13BB001	24V	24V D/A CETOP VALVE CLOSED CENTRE	

PUSH BUTTON CONTROL & PISTOL GRIP			
REF	CODE	DESCRIPTION	
1	299008A002	S/A PUSH BUTTON POWERPACK CONTROL	
	EPC006	S/A push button kit with loom & cable	
	EPC002	Rocker switch kit with loom & cable	
2	299008A003	D/A PUSH BUTTON POWERPACK CONTROL	
	EPC005DA	D/A push button kit with loom & cable	
3	2990080000	Pistol Grip Single Acting	

MANUAL CONTROL OPTIONS		
E3-11-1S	E3-11-1S + MICRO MANUAL CETOP D/A	
MCK001/SA	POWERPACK MANUAL CONTROL W/MICRO	