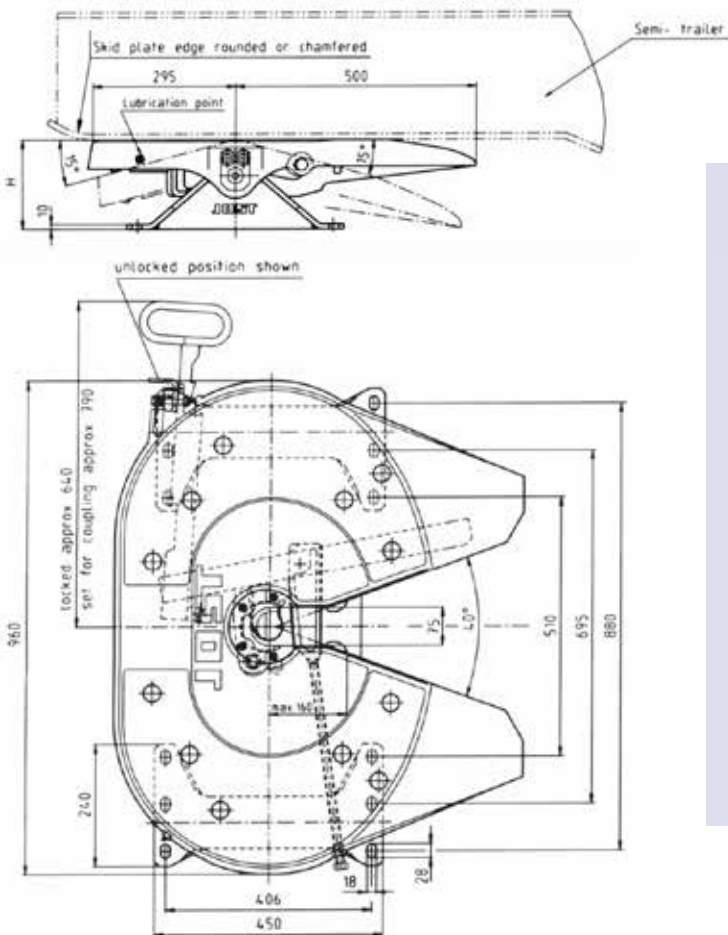


JSK37EW Pivot Bearing - Low Maintenance



Applications: Highway work Tipper Work

Low maintenance fifth wheel coupling:

- maintenance free top plate
- maintenance free rubber cushioned pivot bearings
- maintenance free wear ring
- only one remaining grease point the lock jaw (little grease required)

Lock jaw and wear ring can be replaced without difficulty in a few minutes with the fifth wheel still in position.

Available with extended operating handle (240mm) on demand.

Mounting must be carried out in accordance with our instructions.

Mounting hole pattern in accordance with DIN standard 74081 and ISO standard 3842. Suitable for all types of rear axle

The right to alter specifications is reserved.

Type	Overall height mm	Imposed Load kg	D-value Kn	Weight approx kg.	Pedestal Style	CRN
JSK37EW130MM	130	20000	190	120	Weld on	36821
JSK37EW150MM	150	20000	190	123	*Weld on	
JSK37EW170MM	170	20000	190	128	*Weld on	
JSK37EW185MM	185	20000	190	128	*Weld on	
JSK37EW195MM	195	20000	190	130	Weld on	
JSK37EW205MM	205	20000	190	131	Weld on	
JSK37EW215MM	215	20000	190	132	Weld on	
JSK37EW235MM	235	20000	190	133	Weld on	
JSK37EW255MM	255	20000	190	136	Weld on	

*Bolt on pedestals are available on request.

Spare parts for JSK37EW

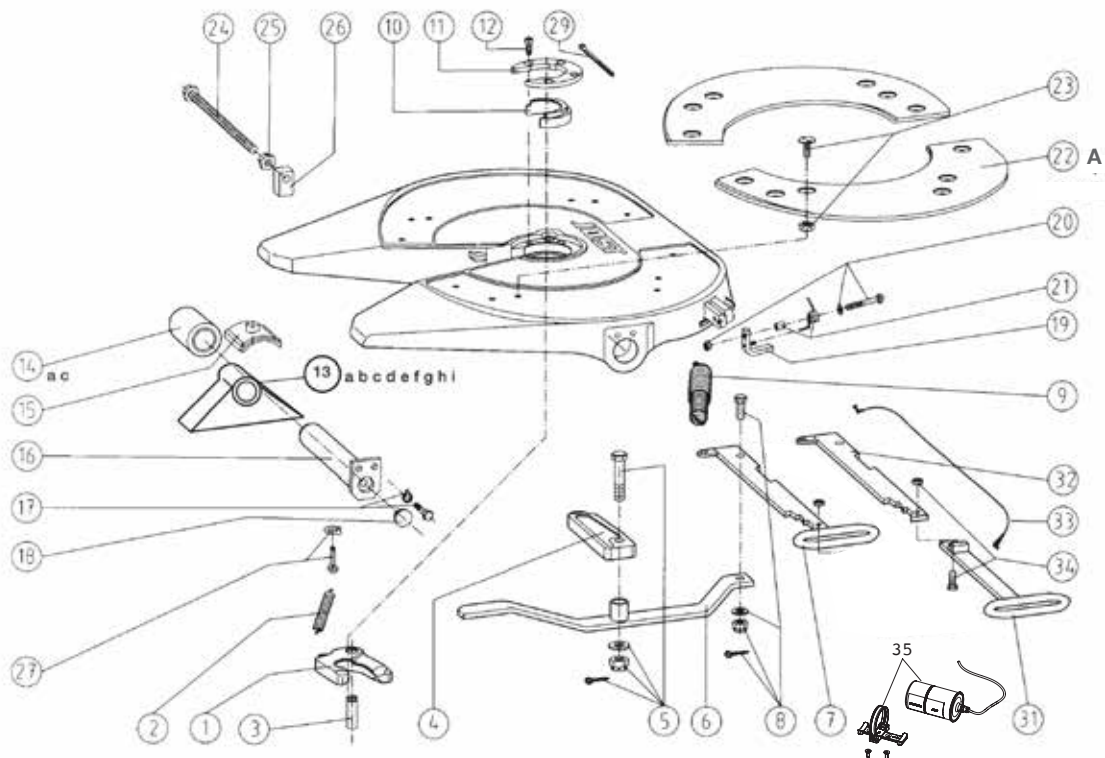


Fig.	Description	Part No.
01	Lock jaw	SK1489Z
02	Lock jaw spring	SK847
03	Pivot for lock jaw, compl.	SK210667
04	Locking bar	SK320506
05	Locking bar bolt, compl.	SK322101
06	Lever	SK310518
07	Operating handle (standard)	SK310515
08	Head bolt	SK1513
09	Double tension spring	SK310520
10	Wearing ring insert	SK310592
11	Wearing ring fixture	SK310593
12	Socket head bolt	SK312155
13a	Fabricated Pedestals 130	SK2920130
13b	Fabricated Pedestals 150	SK2920150
13c	Fabricated Pedestals 170	SK2920170
13d	Fabricated Pedestals 185	SK2920185
13e	Fabricated Pedestals 195	SK2920195
13f	Fabricated Pedestals 205	SK2920205
13g	Fabricated Pedestals 215	SK2920215
13h	Fabricated Pedestals 235	SK2920235
13i	Fabricated Pedestals 255	SK2920255
13j	Bolt on Pedestals 150mm	SK2904/42
13k	Bolt on Pedestals 170mm	SK2904/41E
13l	Bolt on Pedestals 185mm	SK2904/40

Fig.	Description	Part No.
14a	Rubber bushing for bolt on feet	SK290520E
15	Collar	SK310595
16	Swivel pin	SK310405
17	Socket head bolt, compl.	SK312128
18	Plug	JS110112
19	Latch	SK312152
20	Bolt for spring latch	SK352103
21	Spring noose with spacer	SK312159
22	Top plate liner, right hand	SK3105/130L
22	Top plate liner, left hand	SK3105/130R
23	Hexalobular bolt (new style)	SKT 001006000
24	Adjusting screw	SK310597
25	Hexagon nut	SK212178
26	Guide piece	SK320507
27	Eye bolt, compl.	SK212204
28	Lubrication tubing, compl.	SK310802
29	Tubing clamp	SK312113
31	Extended handle, grip	SK3105113
32	Extended handle, lower part	SK3105115
33	Latch cord, compl.	SK352102
34	Socket head bolt, compl.	SK242150
35	Lubetronic grease cartridge	SKE003110310

Repair Kits

Fig.	Repair Kits	Part No.
1, 2, 3	Repair kit for locking device	SK322152Z
1, 2, 3, 8, 10, 12, 28	Repair kit for locking device	SK3121060Z
10, 11, 12	Repair kit for wearing ring	SK310494
14, 15, 16, 17, 18	Repair kit for bearing	SK3121061
19, 20, 21	Repair kit for spring latch	SK312152 Kit

Fig.	Repair Kits	Part No.
22a	Steel Inserts 6 bolt LH	SK4001L
22a	Steel Inserts 6 bolt RH	SK4001R
22	Steel Inserts (6 bolt) kit	SK4000
22,23	Repair kit for top plate liner 10mm (6 bolt) kit	SK3106007
33,34	Handle extension, compl.	SK3121063