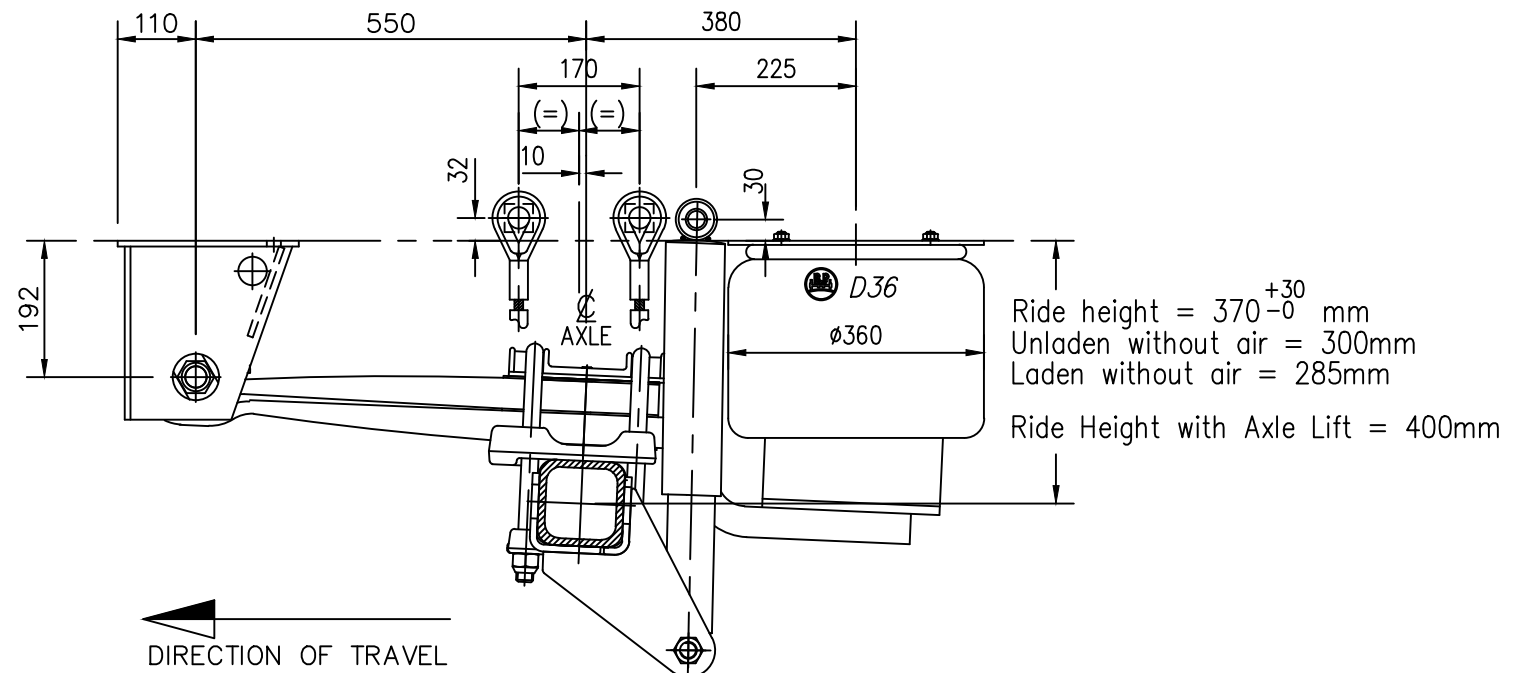
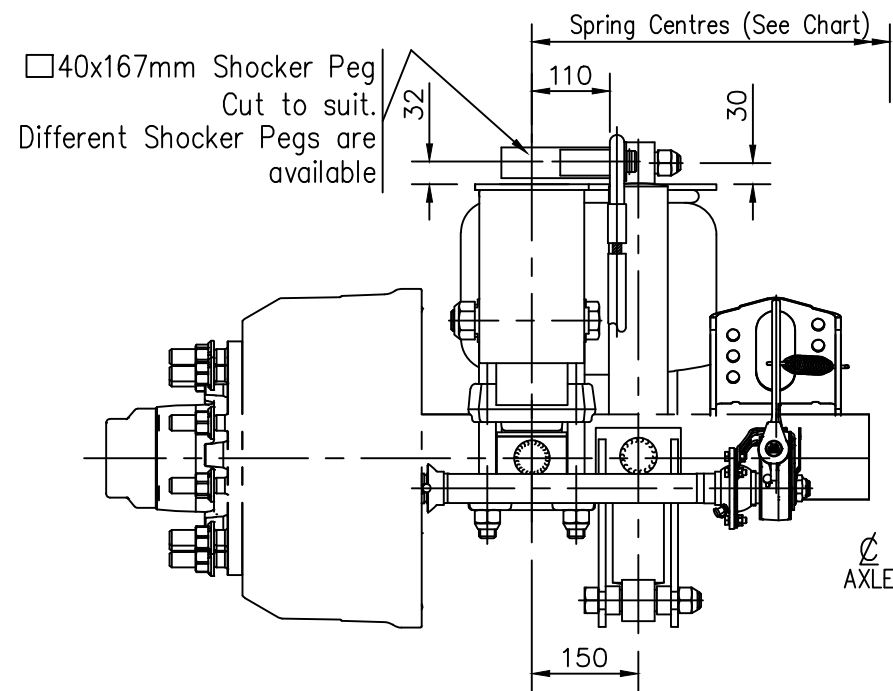
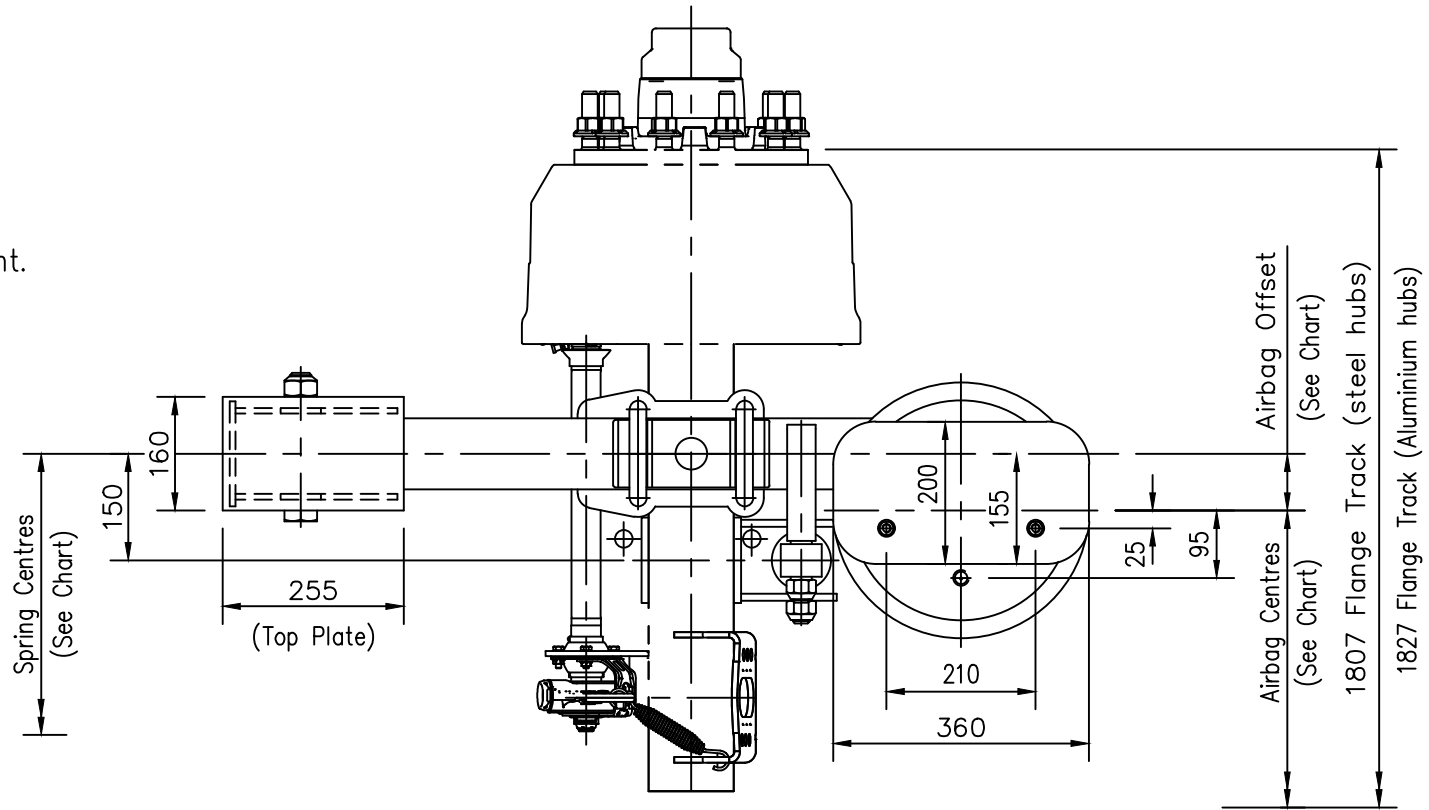


NOTES:

- 10/285 PCD Axle shown for illustration purposes only.
 - Minimum Axle spacing =1250mm
 - Please refer to LO-0018 for hanger bracing instructions.
 - Please refer Assembly Guidelines for airbag mounting plate bracing. (Fitment of airbag mounting plate optional)
 - Please refer to LO-0032 for catchstrap mounting installation.
- Cable Catchstrap Part No. 05.327.14.09.0 (L=1270) – Standard Fitment.

Allowable Spring / Airbag Centres with BPW Axles to suit: ⁽¹⁾					
Dual 20/22.5" Tyres			Dual 19.5" Tyres		
Spring Crs	Airbag Crs	AirbagOffset	Spring Crs	Airbag Crs	AirbagOffset
950	790	80	950	Note 4	Note 4
.	.	.	980 max. ⁽²⁾	820	80
.	.	.	1000 max. ⁽³⁾	840	80

- ⁽¹⁾ For BPW axles with nominal track between 1820mm & 1850mm.
- ⁽²⁾ When axles fitted with aluminium wheels & 265/70R19.5 tyres.
- ⁽³⁾ When axles fitted with steel wheels & 265/70R19.5 tyres.
- ⁽⁴⁾ If 950mm Spring Centres are required in conjunction with 19.5" dual tyres, airbag centres and airbag offsets are dependant on booster position. Please refer Transpec for details.



SUSPENSION SARN'S AS SHOWN APPLY WHEN PIPED IN ACCORDANCE WITH BPW PIPING DRAWINGS.	QUAD	11386
	TRI	9117
	TANDEM	6213
	SINGLE	7223

UNLESS OTHERWISE STATED ALL DIMENSIONS IN MILLIMETRES.
UNLESS OTHERWISE STATED ALL TOLERANCES ARE PER :
BPW WN-1.043 & BPW WN-1.047
AVAILABLE UPON REQUEST FROM TRANSPec

ROAD FRIENDLY NO.
RF2019

BPW Transpec PTY LTD
1 CHERRY LANE, LAVERTON NORTH, VIC, 3026
PHONE: (03) 9267 2444.
FAX: (03) 9369 4826.
www.bpwtranspec.com.au
ABN 63 006 645 272

THIS DRAWING IS COPYRIGHT AND THE SOLE PROPERTY OF BPW TRANSPec PTY LTD, AND MUST NOT BE COPIED OR LOANED WITHOUT WRITTEN PERMISSION AND MUST BE RETURNED UPON REQUEST.

DRAWN	P.O'MALLEY	APPR'D	.
DATE	07-04-2020	SCALE	1:10

TITLE
SUSPENSION ASSEMBLY
H/DUTY 'OM/D36' OVERSLUNG AIRBAG SUSP'N
(RIDE HEIGHT = 370mm-400mm)

DRAWING NO	OM-0004	REV	D
------------	---------	-----	---