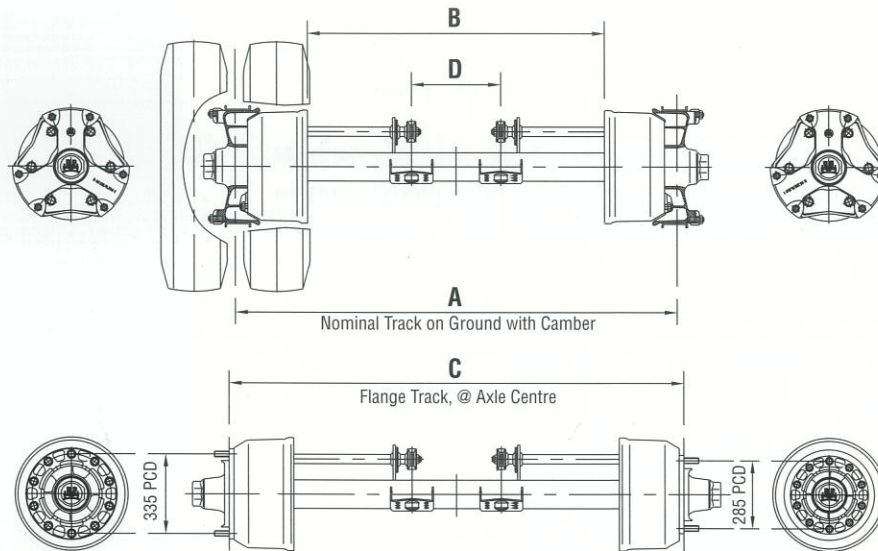




# SPECIFICATIONS

## DRUM BRAKE AXLES FOR 20" TYRES



AXLE MODEL	HUB ECO PLUS 10/12 TONNE	AXLE BEAM	A Nominal Track on Ground (mm)	B Nominal b/w Drum (mm)	C Flange Track (mm)	D Slack Adjuster Centres (mm)	Camshaft Location (Drawing No.)	Axle Capacity With spring suspension (kg)	Axle Capacity With airbag suspension (kg)	Tare Weight per Axle (kg)
HXZ10100-15	Dual Spider	120sq x 15mm	1840-1850 depending on rim size	1262	N/A	261	BL-04	12000	10000	384
HXZ10000-16		150sq x 16mm					BL-06		12000	402
RXZ10000		Ø127 x 17.5mm					BL-08	11000	N/A	384
RXZH10000							BL-09	11000		
HZM10110-15	Dual 10 Stud	120sq x 15mm	1820 with steel wheels	1262	1807	261	BL-04	12000	10000	335
HZM10010-16		150sq x 16mm					BL-06		12000	353
RZM10010	335mm pcd	Ø127 x 17.5mm	1840 with aluminium wheels	1265	1810	264	BL-08	11000	N/A	335
RZMH10010							BL-09		11000	
HZA10110-15	Dual 10 Stud	120sq x 15mm	1820 with steel wheels	1262	1807	261	BL-04	12000	10000	345
HZA10010-16		150sq x 16mm					BL-06		12000	363
RZA10010	285mm pcd	Ø127 x 17.5mm	1840 with aluminium wheels	1265	1810	264	BL-08	11000	N/A	345
RZAH10010							BL-09		11000	

**AXLE CAPACITY:** Above figures are for vehicles travelling at 105kph, with axles mounted at 980mm spring centres on spring suspensions, and 950mm centres on BPW airbag suspensions.

**BRAKES:** BPW 420x180mm, s-cam Mechanical, ADR approval SARN6916.

**10 STUD AXLES:** Are supplied with wheel nuts to suit ISO spigot aligned wheels.

**DUAL SPIDER HUBS:** Accept 4.25" spacer bands.

**LUBRICATION:** ECO Li-Plus semi-synthetic long life bearing grease.

**SLACK ADJUSTER:** BPW manual slack adjuster fitted as standard, BPW ECO-Master automatic slack adjusters optional.

**TARE WEIGHTS & DIMENSIONS:** Are subject to normal manufacturing tolerances.

**CAMSHAFT LOCATION:** Note that the standard booster locations listed above may not suit all suspension configurations. Other booster location options are available. Refer booster location chart in this brochure.