

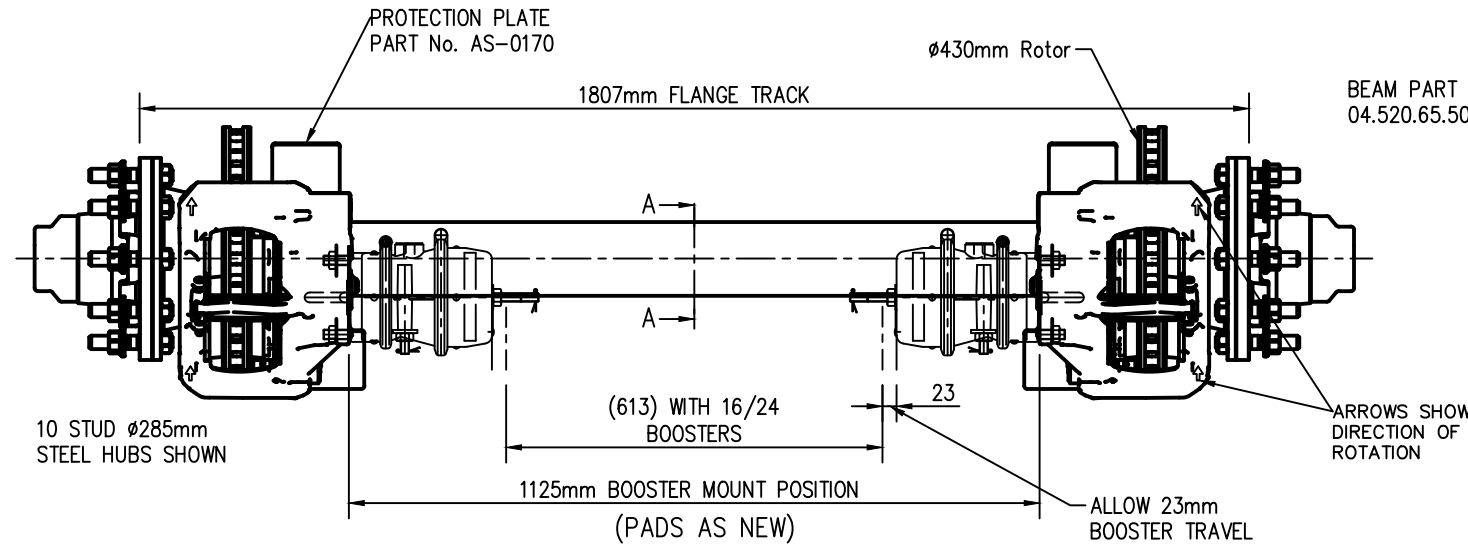
20" 'TS2' SERIES DISC BRAKE AXLE

TS2 4309

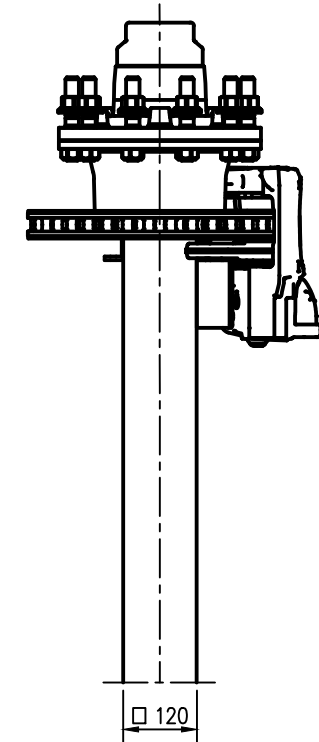
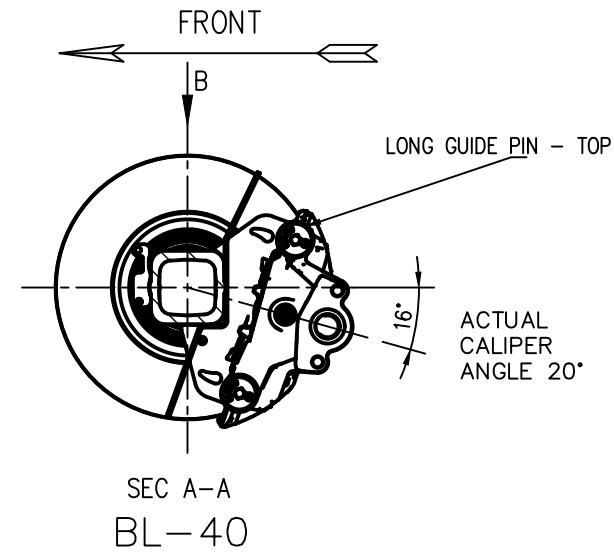
SHZA10110(J)-15 / 10 STUD ϕ 285mm PCD

SHZM10110(J)-15 / 10 STUD ϕ 335mm PCD

BEAM PART NUMBER 09.520.82.77.7 (04.520.65.50.0)



REAR VIEW



VIEW ON B

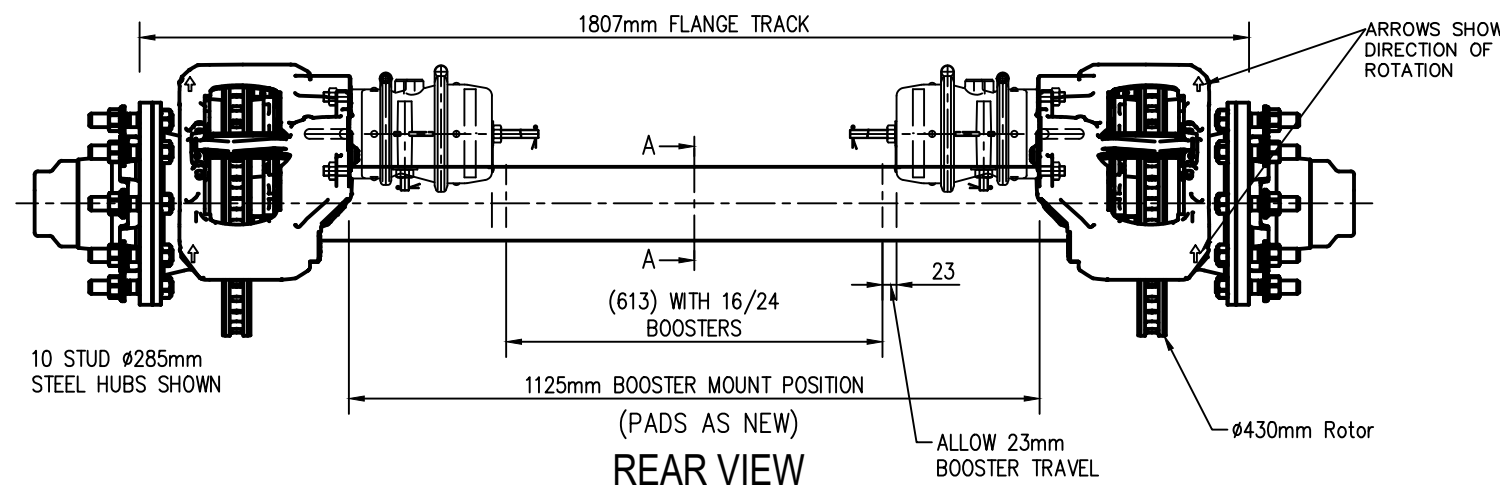
20" 'TS2' SERIES DISC BRAKE AXLE

TS2 4309

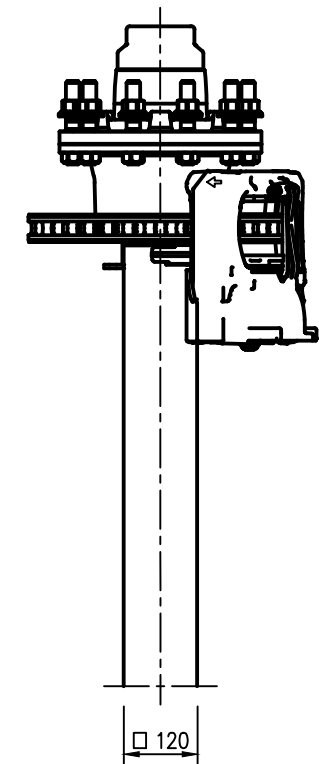
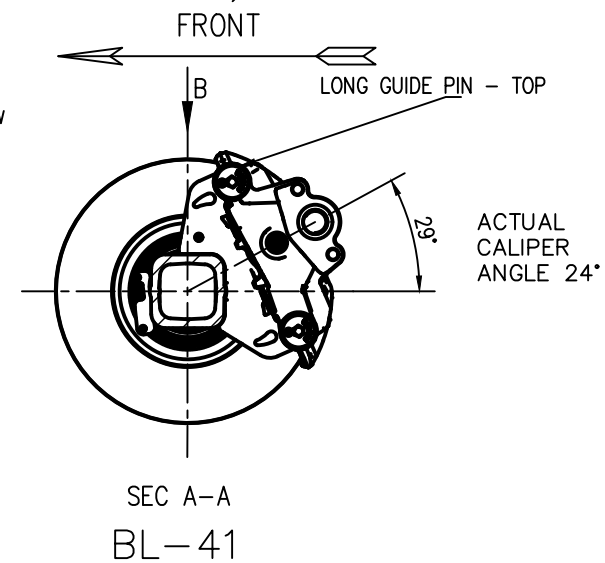
SHZA10110(J)-15 / 10 STUD ϕ 285mm PCD

SHZM10110(J)-15 / 10 STUD ϕ 335mm PCD

BEAM PART NUMBER 09.520.82.78.7 (04.520.65.51.0)



REAR VIEW



VIEW ON B

NOTE:

When BPW Disc Brake Trailer Axles are fitted with Mechanical(Spring) Suspensions and other types of non-BPW Suspensions. Apart from the normal axle beam attachment considerations, the clearance between the suspension and the brake caliper/booster assembly and between the trailer frame and the brake caliper/booster assembly must also be considered. Please contact BPW Transpec for assistance in establishing correct support centres and possible frame modifications to allow trouble free installation of the BPW Disc Brake Trailer Axles.



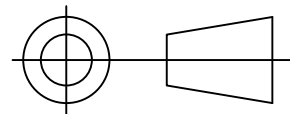
1 CHERRY LANE,
LAVERTON NORTH, VIC, 3026.
PHONE: (03) 9267 2444.
FAX: (03) 9369 4826.
www.bpwtranspec.com.au
ABN 63 006 645 272

TITLE
DISC BRAKE AXLE
TS2 4309 WITH BL-40 & BL-41
TO SUIT SELECTED MECHANICAL SUSPENSIONS

© THIS DRAWING IS COPYRIGHT AND THE SOLE PROPERTY OF BPW TRANSPPEC PTY LTD, AND MUST NOT BE COPIED OR LOANED WITHOUT WRITTEN PERMISSION AND MUST BE RETURNED UPON REQUEST.

DRAWN	EDT	APPR'D	A3
DATE	10-09-2020	SCALE	

DRAWING NO	LO-0304	REV
------------	---------	-----



UNLESS OTHERWISE STATED ALL DIMENSIONS IN MILLIMETRES.
UNLESS OTHERWISE STATED ALL TOLERANCES ARE PER :
BPW WN-1.043 & BPW WN-1.047
AVAILABLE UPON REQUEST FROM BPW TRANSPPEC