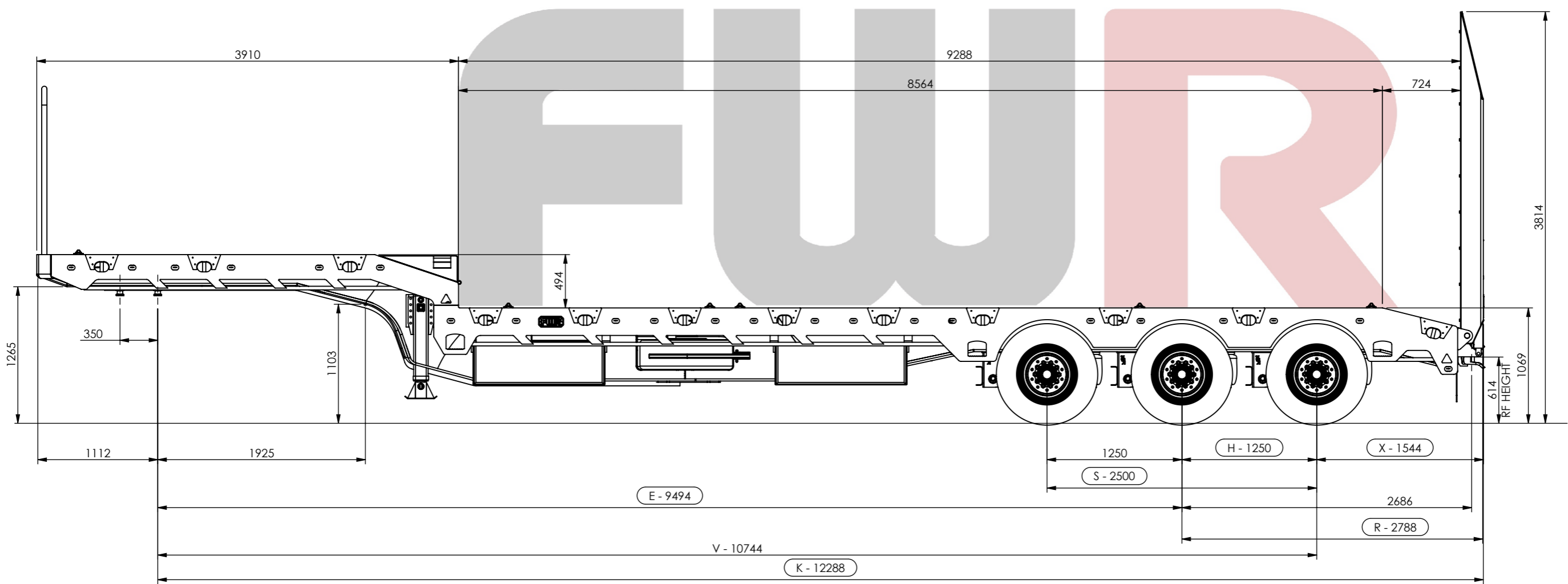
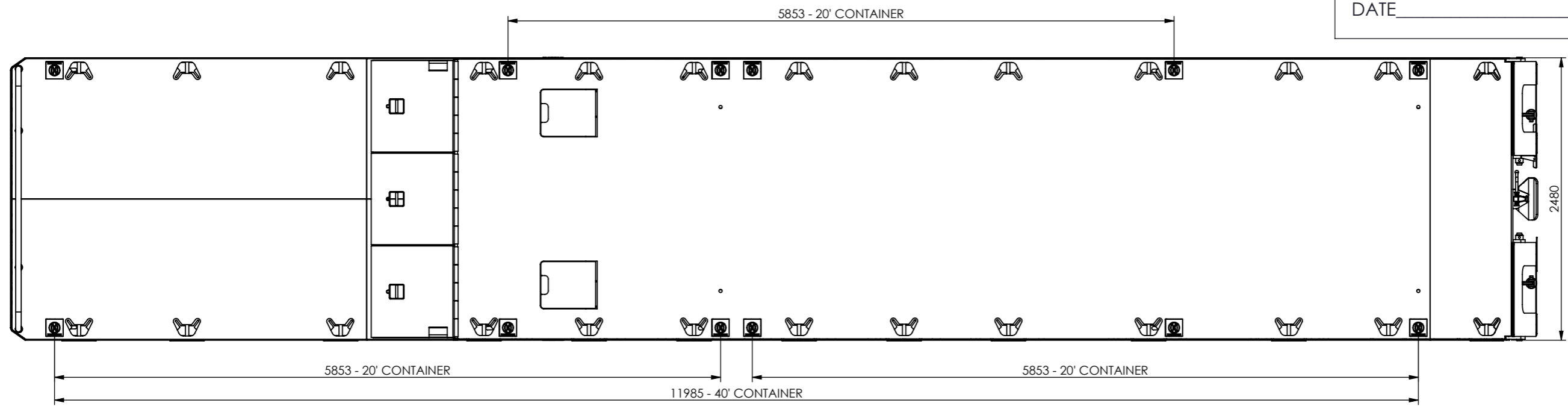


WAITING FOR YOUR APPROVAL
 APPROVED BY _____
 DATE _____



REV.	DESCRIPTION	DATE	DRW	REQ
A	NEW DRAWING	15/09/22	EP	-



GENERAL TOLERANCES UNLESS SPECIFIED:
 LINEAR: 0 ± 0.25mm, 0.0 ± 0.1mm, 0.00 ± 0.05mm
 ANGULAR: 0.0 ± 0.50°, 0.00 ± 0.20°

ALL DIMENSIONS IN MILLIMETERS DO NOT SCALE
 THIS DRAWING IS THE CONFIDENTIAL PROPERTY OF FWR AUSTRALIA

TITLE		REV		SHEET SIZE	
45' RINGFEEDER APPROVAL DRAWING		A		A3	
DRW	EP	15/09/22	15/09/22	45' Drop Deck - 20" Axle	SCALE 1:40 PH: (07) 3726 1166
CHK	AM	15/09/22			