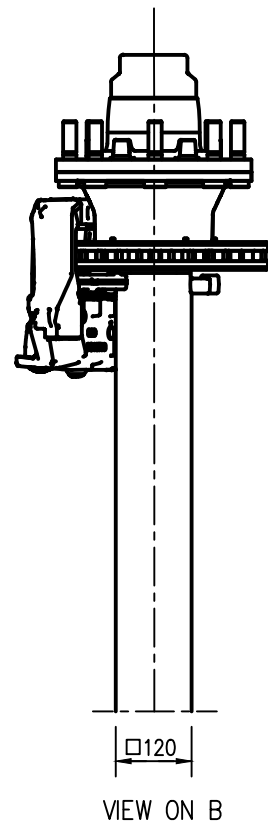


19.5" 'TS2' SERIES DISC BRAKE AXLE

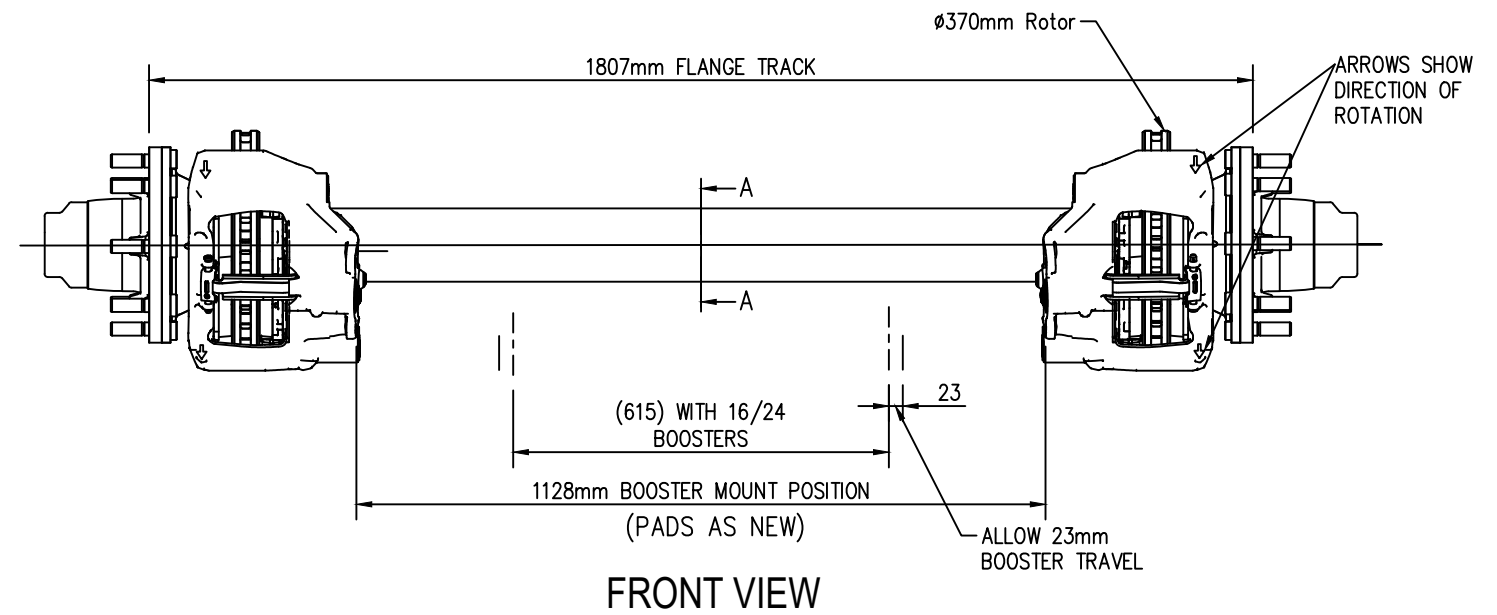
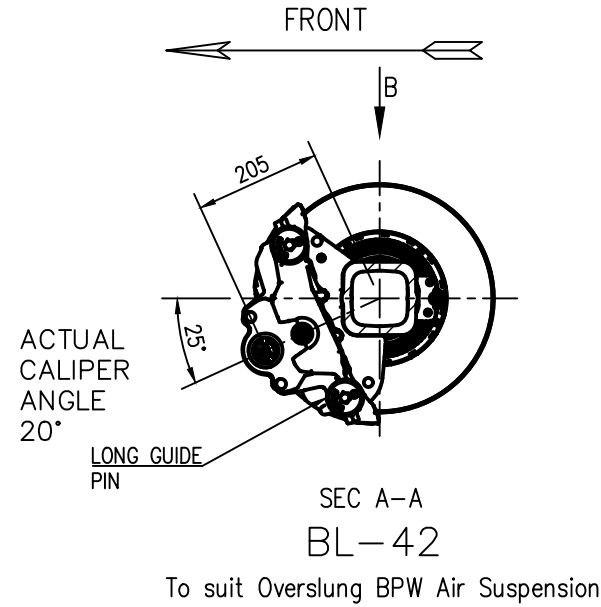
TS2 3709

SKHZM10108(J)-15 / 8 STUD ϕ 275mm PCD

BEAM PART NUMBER 09.520.86.28.7 (04.520.66.19.0)



VIEW ON B

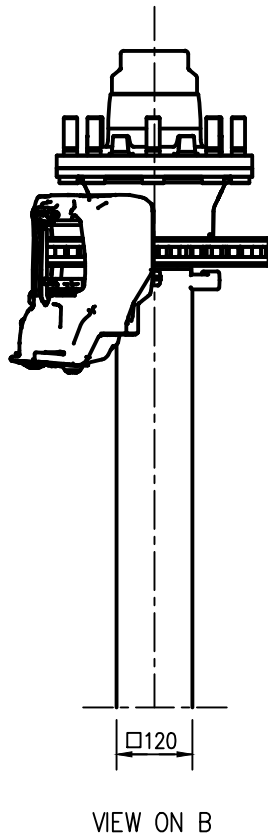


19.5" 'TS2' SERIES DISC BRAKE AXLE

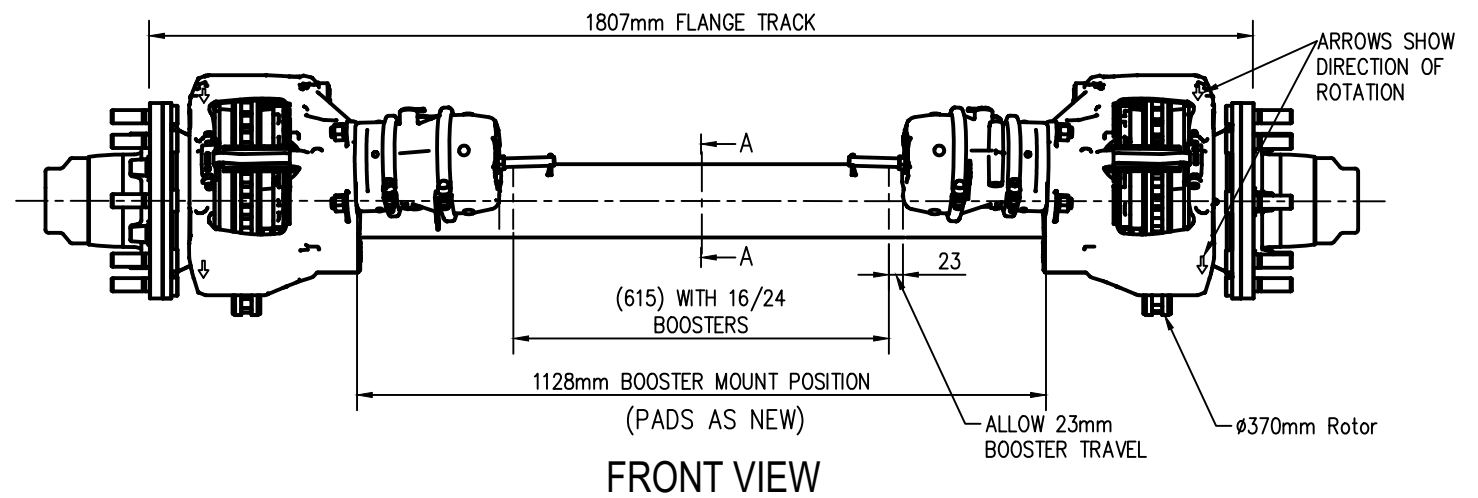
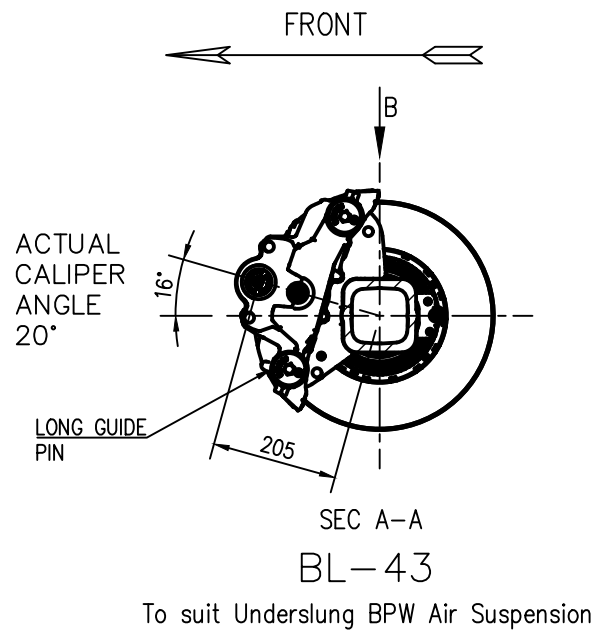
TS2 3709

SKHZM10108(J)-15 / 8 STUD ϕ 275mm PCD

BEAM PART NUMBER 09.520.86.29.7 (04.520.66.18.0)

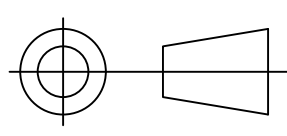


VIEW ON B



1 CHERRY LANE,
LAVERTON NORTH, VIC, 3026.
PHONE: (03) 9267 2444.
FAX: (03) 9369 4826.
www.bpwtranspec.com.au
ABN 63 006 645 272

TITLE
DISC BRAKE AXLE
TS2 3709 WITH BL-42 & BL-43
TO SUIT BPW AIR SUSPENSIONS



UNLESS OTHERWISE STATED ALL DIMENSIONS IN MILLIMETRES.
UNLESS OTHERWISE STATED ALL TOLERANCES ARE PER :
BPW WN-1.043 & BPW WN-1.047
AVAILABLE UPON REQUEST FROM BPW TRANSPPEC

FOUNDATION BRAKE
CTA No. CTA-050229
SARN 50229

© THIS DRAWING IS COPYRIGHT AND THE SOLE PROPERTY OF BPW TRANSPPEC PTY LTD, AND MUST NOT BE COPIED OR LOANED WITHOUT WRITTEN PERMISSION AND MUST BE RETURNED UPON REQUEST.			
DRAWN	EDT	APPR'D	A3
DATE	04-09-2020	SCALE	

DRAWING NO L0-0303 REV